



EUROPE

*Welcome to the Venice Simplon-Orient-Express*

Sip a flute of crisp  
champagne as the  
train starts rolling.  
Your adventure  
begins here.

# Discover Europe

*Steeped in history and buzzing with culture, Europe is as unique as it is dazzling. What better way to discover this singular continent than on the legendary Venice Simplon-Orient-Express?*

An icon of Art Deco design and an enduring symbol of luxury, the Venice Simplon-Orient-Express travels between some of Europe's most iconic cities every year from March to November.

London's architecture alone gives you a sense of this city's great spirit. Here, modern skyscrapers overlook historic sites including the Tower of London and the Houses of Parliament. In the City of Light, the Eiffel Tower casts a magical glow at night. By day, stroll along Paris's beautiful Grands Boulevards.

Vibrant and fabled Istanbul bridges east and west, old and new, while Budapest links two ancient cities across the River Danube. Have a renaissance in Florence. Experience a Flemish fantasy in Brussels and Amsterdam. Venice is breathtaking in its beauty, from the Grand Canal to St Mark's Square. Grand palaces and pristine parks characterise classical Vienna. Pass time in Geneva wandering the cobbled streets of the ancient old town. Glittering Paris is always a good idea.

Your voyage of discovery on these storied carriages brings together aspects of Europe's extraordinary lineage with the ultimate in style and comfort.





*“I never travel without my diary. One should always have something sensational to read in the train.” – Oscar Wilde*



## CHAPTER TWO

# Life On Board

*Experience the golden age of travel as you step on board this iconic train and become part of its incredible history. Prepare for an adventure*

The Venice Simplon-Orient-Express is a truly unique set of vintage carriages. It offers an experience that promises to take you not just across Europe, but to another world entirely. With its sumptuous decor, this legendary train draws you into the opulence and elegance of a bygone era.

Board the Venice Simplon-Orient-Express and you are embarking on an adventure embraced by film stars, royalty and even spies, from Grace Kelly to Lawrence of Arabia. As part of one man's mission to bring the train back to life, the vintage carriages were bought in 1977 and carefully restored for the train's relaunch in 1982. Today, it is still one of the most desirable travel experiences in the world.

Authenticity is everything here, from the ornate original marquetry by the Art Deco master René Prou to engraved glass panels by René Lalique. The train comprises the original sleeping cars of the 1920s and 30s, along with four elegant day cars including the boutique corner. Evening dress for dinner is an integral part of the glamorous mood on board.

This experience is all about the journey. As you glide through mythical cities, lush countryside, you will savour every moment.













# Your Carriage Awaits

## THE CABINS

Passengers may choose from one of our twin cabins or stretch out in a cabin suite, formed of two interconnecting twin cabins with a lower berth bed in each or using one as a living area and the other for sleeping. By day relax on plush banquette seating. Come evening, while you dine, your cabin is transformed into cosy upper and lower berth beds, complete with damask sheets. For those looking for an almost euphoric sense of grandeur, more room and en-suite facilities, our six exquisite Grand Suites offer unbridled indulgence.

## DINING

Each of our beautifully restored 1920s Day Cars has its own unique ambience. Côte d'Azur boasts gorgeously detailed Lalique glass panels, Étoile du Nord impresses with its beautiful marquetry, and L'Oriental dazzles in black lacquer. Stroll along to relax and enjoy drinks echoing days gone by. Decisions, decisions! Besides feasting your eyes, you'll be indulged with our famed cuisine. Each dish is lovingly prepared by our Executive Chef. He takes his inspiration from what's seasonal and local, using the finest ingredients selected from the lands the train travels through.

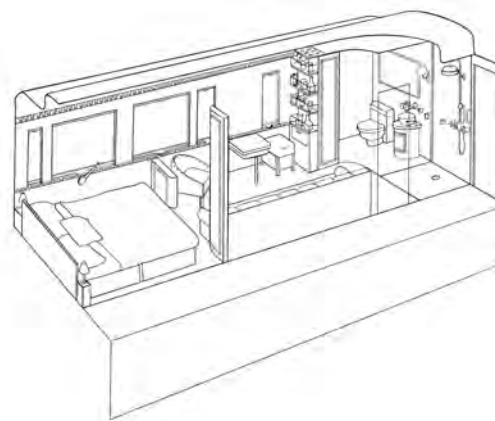
## BOUTIQUE

We offer a curated selection of beautiful gifts at our onboard boutique. Our collection features exclusively designed items including elegant jewellery, silk scarves and ties.

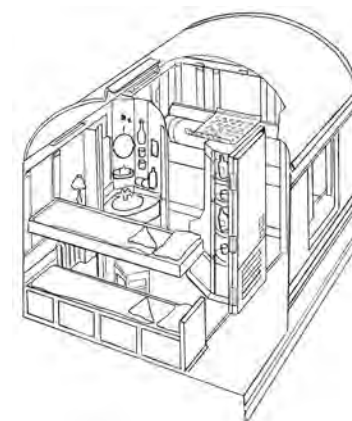
## DRESS

Travel back in time to a golden age of glamour where fantasy becomes reality. It's an all-encompassing experience, in which our guests are as much a part of the magic as our Art Deco-style carriages. You can never be overdressed on board and many of our guests wear their most glamorous finery. Accordingly, smart daywear is appropriate and while formal evening dress is required, fitting for the most opulent of dinners.

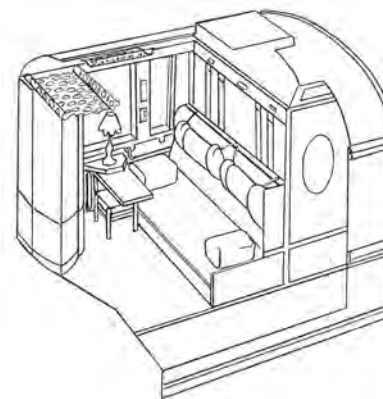
*Grand Suite - Day & Night*



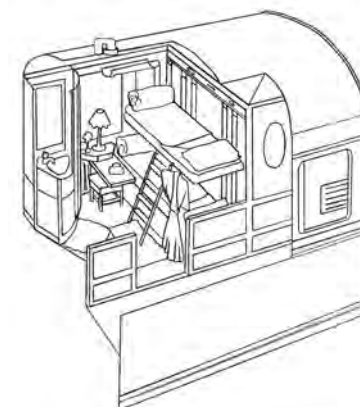
*Cabin Suite - Day & Night*



*Twin Cabin - Day*



*Twin Cabin - Night*



*Illustrations not to scale*



# Grand Suites

*Back in the days of the original Orient Express, the aristocracy was accustomed to buying and customising whole carriages. They created an Art Deco world in which black tie dinners segued into cocktails around the piano. Reflecting this opulent tradition, our six Grand Suites offer a whole new level of luxury. Spread out across an entire cabin and enjoy plush double beds, marble en-suite showers, private dining and free-flowing champagne.*

## Grand Suite Paris

Reflecting Paris's sophisticated style, this breathtaking suite is accented in tones of jade and cream. With a crystal mirror and gleaming marquetry, this suite is best when bathed in sunlight.

## Grand Suite Istanbul

Opulence and sensuality encapsulate Istanbul - a city of exquisite art, colour and infinite warmth. In this sumptuous suite, umber hues and delicate details reflect the city's vibrant history.

## Grand Suite Venice

Capturing the romance of Venice, this magnificent suite features glass lamps, plush fabrics and striking furniture which epitomise the Baroque designs of La Serenissima.

## Grand Suite Vienna

Embark on a journey back to imperial Vienna in this suite characterised by rich hues of gold and emerald green. Dark woods are offset with delicate fabrics, evoking an air of romance.

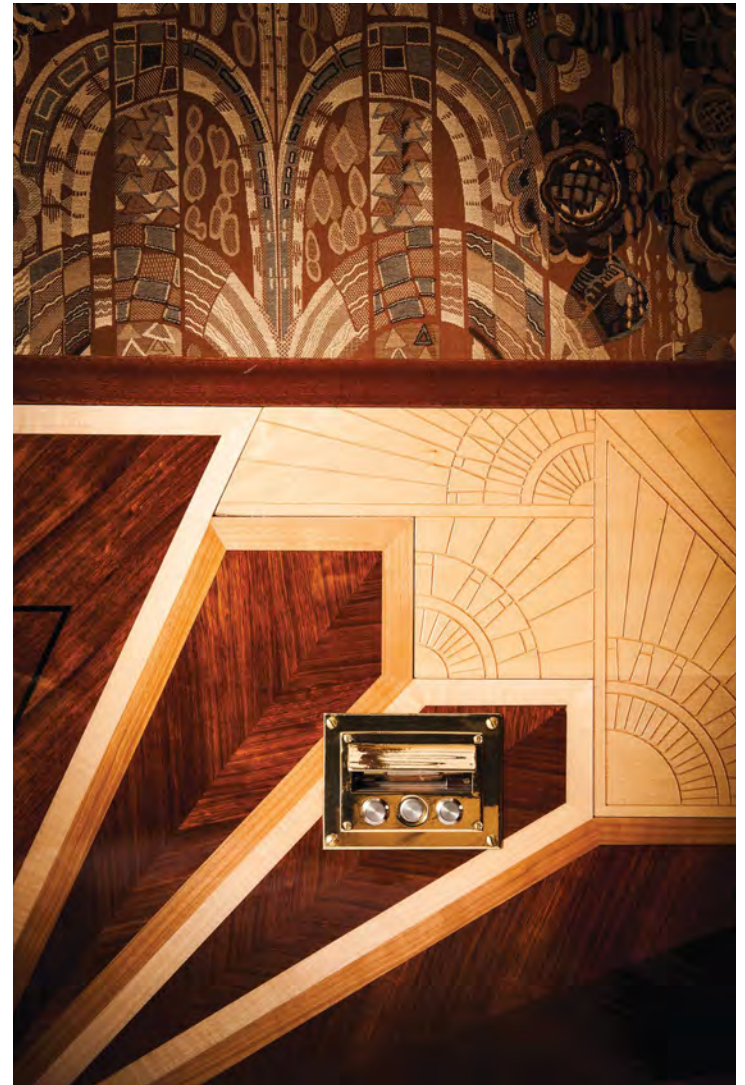
## Grand Suite Prague

Set the stage for a memorable journey in this lavish suite inspired by Prague's theatrical history. Ancient and modern combine, with a palette of gold and red garnet, and Cubist mosaic patterns.

## Grand Suite Budapest

This atmospheric suite takes its cue from both sides of the Danube river, with detailed marquetry and fine silk embroidery reflecting both Gothic and Ottoman design.





# The Journeys

Encompassing one-way adventures and inclusive grand tours, our routes are as remarkable as our history. From dining in the glow of Paris's bright lights to waking with views of the Alps, prepare to be transported

## CLASSIC JOURNEYS

- Venice to Paris or London  
1 Night
- London or Paris to Venice  
1 Night

## SIGNATURE JOURNEYS

- Paris to Istanbul  
5 Nights
- Istanbul to Paris  
5 Nights

## JOURNEYS

- Florence to Paris  
1 Night
- Paris or Geneva to Venice  
1 Night
- Venice to Brussels or Amsterdam  
1 Night
- Venice to Vienna or Budapest;  
Budapest or Vienna to Paris or London  
4 Nights

## GRAND TOUR OF EUROPE

Choose from two main destinations - Vienna or Budapest or - while crossing Europe on these two special journeys

- London or Paris to Venice;  
Venice to Vienna or Budapest;  
Budapest or Vienna to Paris or London

7 Nights (including two-night hotel stay in your chosen city)



**i** Venice Simplon-Orient-Express offers a shared transfer to or from your Venice hotel as part of your fare. For more information, prices and dates visit [belmond.com/vsoe](http://belmond.com/vsoe)

Follow us on Instagram @vsoetrain

## CHAPTER FOUR

# Continue Your Adventure

*Your journey doesn't have to end when you disembark. Why not extend your pre- or post-train experience with us? We can curate a bespoke itinerary especially for you*

## London

### The Cadogan, A Belmond Hotel

*Extend your break with a stay in the heart of historic London*

Find the The Cadogan, London on Chelsea's prestigious Sloane Street, one of the world's most exclusive and luxurious shopping districts. Built in Queen Anne style in 1887, its 54 rooms and suites – now renovated

and reconceptualised – along with the gourmet restaurant, reflect the hotel's rich heritage. This stylish retreat has a colourful and celebrated history. It was the location of Oscar Wilde's infamous arrest in 1895 and was once home to actress Lillie Langtry, who courted the future King of England in our very own rooms.

### British Pullman, A Belmond Train

*Step on board our Art Deco-style carriages and be whisked away*

Enter a bygone age of travel in which supreme comfort, silver service and fine dining are the order of the day. Our carriages date back to the 1920s. Some have been used by the British royal family, others have carried such

luminaries as Presidents Charles de Gaulle and Nelson Mandela. Our day journeys and Cornish short break take you through the scenic landscapes of Great Britain to vibrant cities, historic houses and world-class events. On board, savour fine dining and first-class hospitality – our dedicated crew has a combined 200 years of experience.





# Italy

## Cipriani, A Belmond Hotel

*With its rich history, art and inspiring vistas of Venice across the azure water, Giudecca Island is the home of Cipriani, Venice. Offering elegance and privacy in equal measure, it is the perfect haven before or after an exquisite journey aboard the Venice Simplon-Orient-Express*

Relax in total splendour with a stay at the iconic Belmond Hotel Cipriani as part of your magical journey. Set on Giudecca Island, a five-minute ride by private launch from St Mark's Square, Cipriani is an oasis of calm in Venice. Opened in 1958, this iconic retreat makes your experience of this beautiful city even more exquisite, from the commanding views of the shapely Venetian towers and domes across the turquoise lagoon to the roses that softly scent the ancient courtyard. Indeed, the newly expanded, luxurious spa is set in the lush gardens where Casanova once wooed his lovers.

While the hotel's fine-dining options include Michelin-starred restaurant Oro, you can also choose to enjoy lunch or light snacks by the Olympic-size pool – fully heated, it is filled with filtered seawater. Round off your evening in style, sipping a bellini to the refrain of a grand piano as you drink in the views of St Mark's Square.



## Our Belmond World

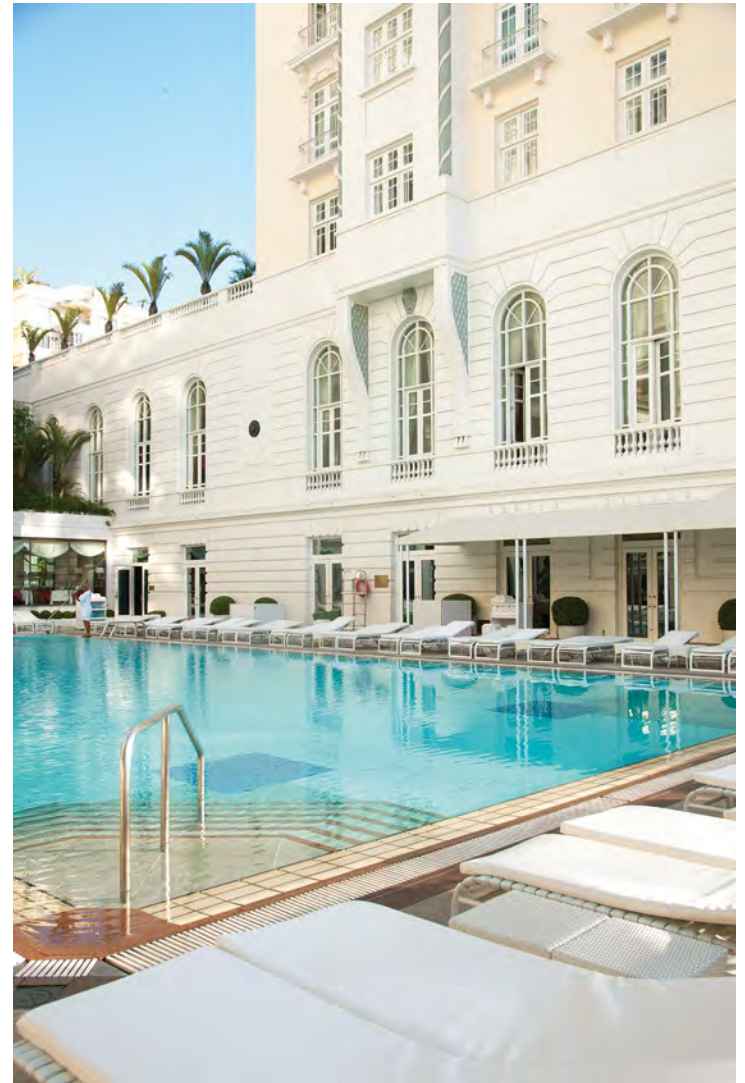
---

Having spent decades travelling the globe, Belmond invites you to join us for your next adventure. Transcend the everyday with inspiring retreats set among the world's most celebrated destinations.

Our legendary hotels, luxury train journeys, safari adventures and pioneering river cruises each have a story to tell. Join us as it unfolds.

INCOMPARABLE GENUINE TRAVEL

[BELMOND.COM](https://www.belmond.com)



# Booking Conditions

All Bookings. Our booking conditions apply to all of the trips we offer, including those described in this brochure. The conditions relevant to your booking are available on request by calling your nearest Reservation Office from the following locations: UK: 0845 077 2222 +44 (0)203 17 1300 US: +1 800 524 2420 (toll free), Singapore: +65 6395 0678 or online: <https://www.belmond.com/legal/terms-and-conditions>.

Our booking conditions contain important limitations and exclusions of liability. Please read them before we confirm your booking. Adequate travel insurance is vital. Details of a policy suitable to cover the arrangements you book are available from an advisor at RHG Insurance Brokers on +44 (0)1438 345714 or +44 (0)1438 345719 (please quote "VSOE Travel" when calling). All details are correct at time of going to print. Images are used for illustration purposes only. We reserve the right to amend the price of unsold trips at any time.

The applicable deposit (5% unless otherwise stated) must be paid to us when you book (or if booking within 56 days of departure, full payment must be made on booking).

If there are fewer than 12 passengers in your party, and if you have made your booking more than 56 days before departure and have paid a deposit to secure your booking, the balance of the cost of your arrangements (including any applicable surcharge) is due not less than 56 days prior to scheduled departure.

If there are 12 or more passengers in your party, payments must be made as follows: 15% of the cost of your arrangements is payable on booking; a further 35% of such cost (including any applicable surcharge) is due 90 days before departure (if your booking is made between 90 and 56 days before departure you will be required to pay 50% of the cost of your arrangements on booking and the balance is due 56 days before departure). If your booking is made less than 56 days before departure, you will be required to pay the entire cost of your arrangements at the time of your booking. If we do not receive (in cleared funds) the relevant sum due in full and on time, we reserve the right to treat your booking as cancelled by you, in which case cancellation charges will become payable.

Cancellation charges apply in the event that you or any member of your party cancels a confirmed booking. These charges will increase the closer to your departure date that you notify us of a cancellation.

Non-UK passport holders, including other EU nationals, should obtain up-to-date advice on passport and visa requirements from the Embassy, High Commission or Consulate of your destination or country(ies) through which they are travelling.

Non-EEA Bookings. The Booking Conditions for bookings made by guests outside the EEA can be viewed in full at: <https://www.belmond.com/legal/non-eea-consumer-booking-conditions>.

EEA Bookings. The Booking Conditions for bookings made by guests within the European Economic Area (the "EEA") can be viewed in full here: <https://www.belmond.com/legal/eea-consumer-booking-conditions>.

For these sorts of bookings, we provide financial security for EEA Packages (an "EEA Package" will exist if you are

resident within the EEA and purchase a combination of at least two of the following travel services in a single booking with us, where the arrangement covers a period of more than 24 hours or includes overnight accommodation: (a) transport; (b) accommodation; (c) hire of motor vehicles; or (d) 'other tourist services'. If you buy a combination which includes 'other tourist services' and only one of (a), (b) or (c) above, then this will only be an EEA Package if the 'other tourist services' (i) are not intrinsic to (a), (b) or (c) above, (ii) are not purchased after the start of the performance of (a), (b) or (c) above; and (iii) either account for a significant proportion of the value of the EEA Package (at least 25% of the value of the EEA Package), or otherwise represent an essential feature of the EEA Package).

The following arrangements are not EEA Packages: (i) day trips on the Belmond British Pullman and (ii) any other train journeys (whether booked on their own or with other travel services) which last for less than 24 hours and which are not booked alongside overnight accommodation.

Some of the flights and flight-inclusive holidays which may be shown in this brochure are financially protected by the ATOL scheme. But ATOL protection does not apply to all holiday and travel services listed in this brochure. This brochure shows you the protection that applies in the case of each holiday and travel service offered before you make your booking.

If you do not receive an ATOL Certificate then the booking will not be ATOL protected. If you do receive an ATOL Certificate but all the parts of your trip are not listed on it, those parts will not be ATOL protected. Please see our full EEA Booking Conditions for more information, or for more information about financial protection and the ATOL Certificate go to: [www.caa.co.uk](http://www.caa.co.uk). Our ATOL number is 3141 and has been issued by the Civil Aviation Authority, Gatwick Airport South, West Sussex, RH6 0YR, UK, telephone +44 (0)333 103 6350, email: [claims@caa.co.uk](mailto:claims@caa.co.uk).

When you buy an EEA Package that does not include a flight, protection is provided by way of a bond held by ABTA The Travel Association, 30 Park Street, London SE1 9EQ, [www.abta.co.uk](http://www.abta.co.uk). Our ABTA number is Y6534.

Bookings which are not an EEA Package are not protected by the ATOL or ABTA arrangements described above.

Venice Simplon-Orient-Express Limited. Registered office: Shackleton House, 4 Battle Bridge Lane, London SE1 2HP. Registered in England and Wales No. 1551659 © 2019, Belmond Management Limited.



**Exquisite "Sapelli Pearl"**  
marquetry, created in 1929 by the leading Art Deco furniture designer René Prou, adorns four of our carriage interiors. Its geometric floral shapes inspired the pattern on this brochure while deep navy blue reflects the exterior livery of the train, which is echoed in our stewards' uniforms. This classic hue has been synonymous with luxury sleeping cars since the dawn of great rail travel in continental Europe in the late 19th century.

### **RESERVATIONS FOR THE AMERICAS**

205 Meeting Street, Charleston, SC 29401

United States of America

Tel: +1 800 237 1236 (Toll Free)

or +1 843 937 9068

Email: [reservations.us@belmond.com](mailto:reservations.us@belmond.com)

### **RESERVATIONS FOR EUROPE**

Shackleton House, 4 Battle Bridge Lane,

London, SE1 2HP

United Kingdom

Tel: 0845 077 2222\* or +44 (0)20 3117 1300

Email: [reservations.uk@belmond.com](mailto:reservations.uk@belmond.com)

### **RESERVATIONS FOR ASIA-PACIFIC**

100 Beach Road, #34-01/02, Shaw Tower,

Singapore 189702

Tel: +800 492 2240 (Toll Free)

Australia: 1 800 837 274 (Toll Free)

New Zealand: 0800 449 043 (Toll Free)

Email: [reservations.singapore@belmond.com](mailto:reservations.singapore@belmond.com)

*\*Calls cost 2p per minute, plus your phone company's access charge.*



@vsoetrain

BELMOND.COM