



SOUTHEAST ASIA

Welcome to the Eastern & Oriental Express

Lush paddy fields
glimmer rose gold
as the sun sets.
What thrilling
adventures will
tomorrow bring?

Discover Southeast Asia

While this beguiling continent has one foot rooted in history, its other strides out into a future filled with world-class food, fashion and art

Southeast Asia marries the vibrancy of modern metropolises with ancient monasteries, storied ruins and inspiring landscapes. From hawker stalls and markets to Michelin-starred restaurants and designer malls, this fabled region beckons the curious traveller.

Explore the Grand Palace and the temples of Wat Pho as you navigate Bangkok's colourful streets. An invigorating Thai massage marks the perfect end to a morning sampling exotic produce at the floating markets. Cruise along the River Kwai in Thailand before discovering the charms of a traditional Malay village. Later, lose yourself among small fishing villages perched on sugar-white sands.

Further south still, eastern wonders rub shoulders with cosmopolitan cool in the Lion City of Singapore. Lush rainforest is interspersed with contemporary architecture. Shop houses bustle in the shadow of gleaming malls. Dive into a melting-pot of cultures among the streets of Little India and the old Malay-Arab quarter before taking a little time to relax on Sentosa Island.

The Eastern & Oriental Express offers a unique chance to explore this captivating region, safe in the knowledge that a luxurious haven is always close by. Adventure awaits.





*“At the end of hours of train-
dreaming, we may feel we have
been returned to ourselves.”
– Alain de Botton*



Life On Board

At once leisurely and luxurious, intimate and eye-opening, the Eastern & Oriental Express invites you to a world in which travel and style are synonymous

The train's name alone is a hallmark of distinction. zcompany, cocktails and delicious food are matched only by the spectacular cabins and views. This is the kind of journey usually reserved for the silver screen.

The breeze tousles your hair in the open-deck Observation Car, the perfect spot from which to admire the dramatically unfolding scenery. Glide through lush jungle and plantations, past ancient temples and timeless villages.

Browse our selection of books and games in the Saloon Car or take part in a sightseeing excursion – the perfect way to work up an appetite for dinner in our elegant Restaurant Car, where the menu fuses eastern flavours with western finesse. Retire with new-found friends to the sociable Piano Bar, open day and night, to indulge in a cocktail with our resident pianist. This is where memories are made.

The train is beautifully air-conditioned so you can stay cool in the tropical climate. Look out for more details online of our upcoming onboard Spa Car which is set to offer guests a perfect retreat filled with pampering treatments. Throughout the journey our attentive yet discreet staff ensure that yours will be a smooth journey on board these sleek carriages.











Your Carriage Awaits

CABINS

There are five categories of private cabins: Pullman Single, Pullman, State Cabin, Suite and an upcoming Grand Suite. This new addition, with its own sleeping carriage, will offer a supreme level of luxury for our guests. State Cabins and Suites both form two lower berths. Pullman Single and Pullman cabins form upper and lower berths. All are fully air-conditioned, fitted with en-suite showers and toilets and benefit from free WiFi. Suites feature a complimentary mini bar and private transfers at the beginning and end of the journey. During the day, berths and single beds are converted into seating from which guests can admire the ever-changing, beautiful vistas outside.

DINING

Pull up a seat for lunch and dinner in one of the world's most ornate Restaurant Cars. Here, internationally renowned chefs create eastern and western specialities to rival top restaurants. Expect dishes such as miso-glazed salmon or mango with a chia and passion fruit coulis. In the morning, a light breakfast is served in your cabin. Alternatively, opt for a four-course Royal Celebration Breakfast which includes traditional

favourites, locally inspired dishes and a glass of crisp champagne. House wines, spirits and local beers are included in your fare throughout your journey. Premium drinks and those ordered to your cabin will be at additional charge.

PIANO BAR

Open from early morning until well into the night, the Piano Bar car is the train's convivial heart. Sit back with an aperitif serenaded by our resident pianist. Later, enjoy local entertainment on selected evenings while you share stories in great company.

DRESS CODE

Dress for relaxed comfort as you move about the train during the day and go on excursions. We ask that you respect local cultures by wearing appropriate clothing when visiting temples. Evenings call for smart-casual attire with a touch of understated elegance, and we suggest gentlemen wear a jacket for dinner.

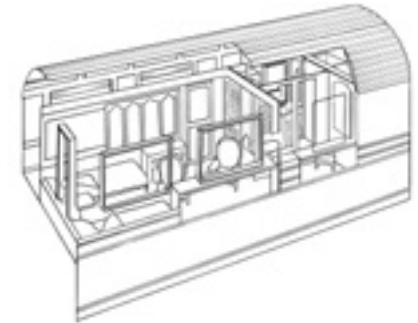
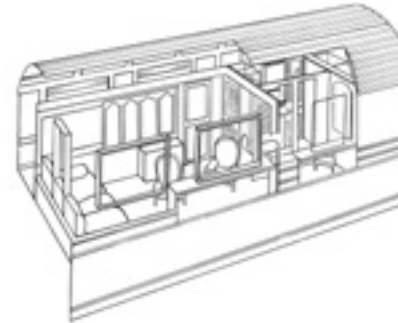
BOUTIQUE

For a truly unique memento of your journey, browse the train's boutique which sells an exclusive selection of Eastern & Oriental Express gifts.

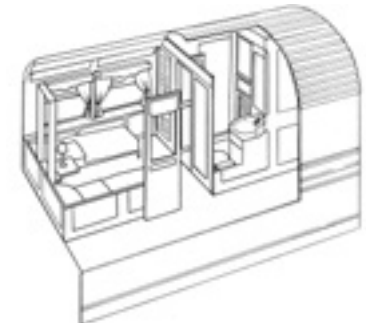
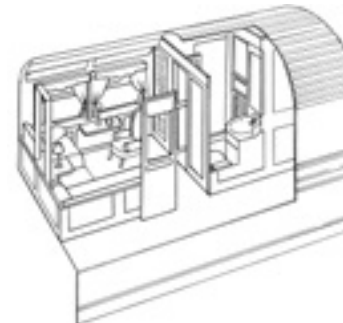
Day

Night

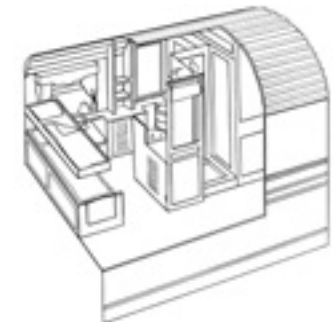
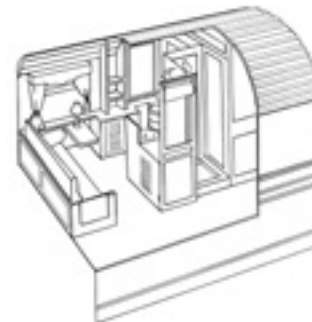
Suite



State Cabin



Pullman Cabin



Illustrations not to scale





EASTERN & ORIENTAL EXPRESS

The Journeys

From Bangkok, through Malaysia to Singapore and beyond, this is a voyage of a lifetime. We've carefully created the perfect journeys for you, striking an ideal balance between leisure time on board and inspiring exploration off the train with our expert guides

Soak up the best of Southeast Asia on one of our two to six-night journeys. From dynamic Bangkok with the River Kwai to Malaysia's Cameron Highlands and the Lion City of Singapore, each route offers different and exciting excursions on which you can discover this intriguing peninsula. The train operates between the more temperate months of September and April for your comfort. If you dream of sampling a sumptuous repast created by a renowned chef, join us on one of our special Guest Chef journeys. Keep an eye on our website for details of these exquisite gourmet experiences.

CLASSIC JOURNEYS

- Bangkok - Singapore
3 Nights

- Singapore - Bangkok
2 Nights

SIGNATURE JOURNEYS

- New Year Celebration
3 Nights

- Fables of the Peninsula
6 Nights

Discover more at belmond.com/easternorientalexpress

Follow us on Instagram @easternoriental



Journey Schedule 2019

JANUARY

WED 02 Bangkok - Singapore
THU 17 Singapore - Bangkok
THU 24 Bangkok - Singapore

FEBRUARY

FRI 01 Singapore - Bangkok
TUE 05 Bangkok - Singapore
SUN 10 Singapore - Bangkok
THU 14 Bangkok - Singapore
TUE 19 Singapore - Bangkok
SAT 23 Bangkok - Singapore

MARCH

FRI 01 Singapore - Bangkok
TUE 05 Bangkok - Singapore
SUN 10 Singapore - Bangkok
THU 14 Bangkok - Singapore
TUE 19 Singapore - Bangkok
SUN 24 Bangkok - Singapore

APRIL

MON 01 Singapore - Bangkok
FRI 05 Bangkok - Singapore
TUE 23 Singapore - Bangkok
SAT 27 Bangkok - Singapore

SEPTEMBER

MON 02 Singapore - Bangkok
SUN 08 Bangkok - Singapore
FRI 13 Singapore - Bangkok
TUE 17 Bangkok - Singapore
SUN 22 Singapore - Bangkok
THU 26 Bangkok - Singapore

OCTOBER

WED 02 Singapore - Bangkok
TUE 08 Bangkok - Singapore
SAT 12 Fables of the Peninsula
SUN 20 Bangkok - Singapore
FRI 25 Singapore - Bangkok
MON 28 Bangkok - Singapore

NOVEMBER

FRI 01 Singapore - Bangkok
SAT 09 Bangkok - Singapore
THU 14 Singapore - Bangkok
MON 18 Bangkok - Singapore
SAT 23 Singapore - Bangkok
WED 27 Bangkok - Singapore

DECEMBER

MON 02 Singapore - Bangkok
SUN 08 Bangkok - Singapore
SAT 21 Singapore - Bangkok
WED 25 Bangkok - Singapore
SUN 29 New Year Celebration



All table d'hôte meals, house spirits, local beer and soft drinks, tea and coffee in the cabins, sightseeing tours as stated in the itinerary and onboard accommodation are included within the price of your train journey. Premium drinks and drinks ordered to guest cabins are extra.

All journeys and dates listed are correct at time of publication and may be subject to change. For revised dates and prices please visit belmond.com/easternorientalexpress

CHAPTER FOUR

Continue Your Adventure

Southeast Asia is full of possibilities. Enhance your journey with our expertly curated itineraries, featuring sightseeing tours, major cities and beach breaks

CAMBODIA

Let our experts be your guide to Cambodia's magnificent temples, pagodas and unspoiled jungles. Mingle with locals in Angkor or travel to magical Phnom Penh. Stay at the intimate **Belmond La Résidence d'Angkor** on the lush banks of the Siem Reap River. Here, local decor is enhanced by modern touches. Raffles Hotel Le Royal in Phnom Penh has been favoured by the well-travelled since it opened in 1929, while the Sofitel Phnom Penh Phokeethra is the epitome of French colonial elegance.

LAOS

Stunning landscapes and a rich cultural heritage characterise beautiful Laos. We can arrange a tour around UNESCO-protected Luang Prabang or a full-day Mekong river trip to the

holy Pak Ou Caves. Retire to **Belmond La Résidence Phou Vao**, nestled on a hill overlooking the Mekong and Nam Khan rivers. This leafy hideaway boasts stunning views of mountains and temples as well as an infinity pool, spa and restaurant serving French and Laotian cuisine.

VIETNAM

Explore Ha Long Bay, visit the historic merchant houses in Hoi An or fly to Ho Chi Minh City and discover the Mekong Delta, Vietnam's "rice bowl". Stay at Sofitel Legend Metropole, in Hanoi's French Quarter, or La Résidence Hue Hotel & Spa on the banks of the Perfume River. Anantara Hoi An Resort oozes colonial charm on the Thu Bon River while, in Ho Chi Minh City, the Park Hyatt Saigon combines urban luxury and Vietnamese hospitality.



Beach Breaks

BALI

This heavenly Indonesian island is renowned for its sugar-white beaches and crystal-clear coves. Stay at **Belmond Jimbaran Puri** beside one of the island's best beaches. Exquisite cottages and villas, each with a private swimming pool and Balinese garden, are scattered among frangipani trees. Take a refreshing dip in the glittering azure pool looking out on uninterrupted sea views before making the most of the resort's library, boutique and spa. We offer an excellent selection of fine-dining restaurants. Enjoy just-caught fish at Nelayan as the sun disappears below the distant horizon.



KOH SAMUI

A short flight from Bangkok, this lush and charming Thai island offers turquoise waters and pristine sands. Stay in a beautiful villa or suite at **Belmond Napasai** where the private beach is fringed by palm-shaded gardens. Explore the natural wonders of Ang Thong National Marine Park, head off on a boat trip or try windsurfing, kayaking and snorkelling. Wind down in the infinity pool and spa after a few hours on the tennis courts or venture out and discover local attractions such as the towering Wat Phra Yai or the jungle interior, renowned for its spectacular waterfalls. For golf-lovers, there is an excellent hilltop course with outstanding views.



The Best of Both Worlds

The **Eastern & Oriental Express** travels between the dynamic cities of Singapore and Bangkok, through the forested countryside of Malaysia. It blends unrivalled onboard comfort with beautiful vistas of jungle-clad hills, ancient temples and paddy fields which stretch as far as the eye can see. Combine this journey with a cruise on **Belmond Road to Mandalay**, Myanmar. This luxury vessel glides along the Ayeyarwady River with only 50 guests on board. Choose from three to 11-night journeys.

Stay at the leafy **Belmond Governor's Residence** in Yangon to catch your breath between adventures. There is also an opportunity to extend your Asian experience with hotel stays in destinations ranging from vibrant cities to pretty beach resorts. Whatever combination, you can be certain to make thrilling discoveries and unforgettable memories.



Our Belmond World

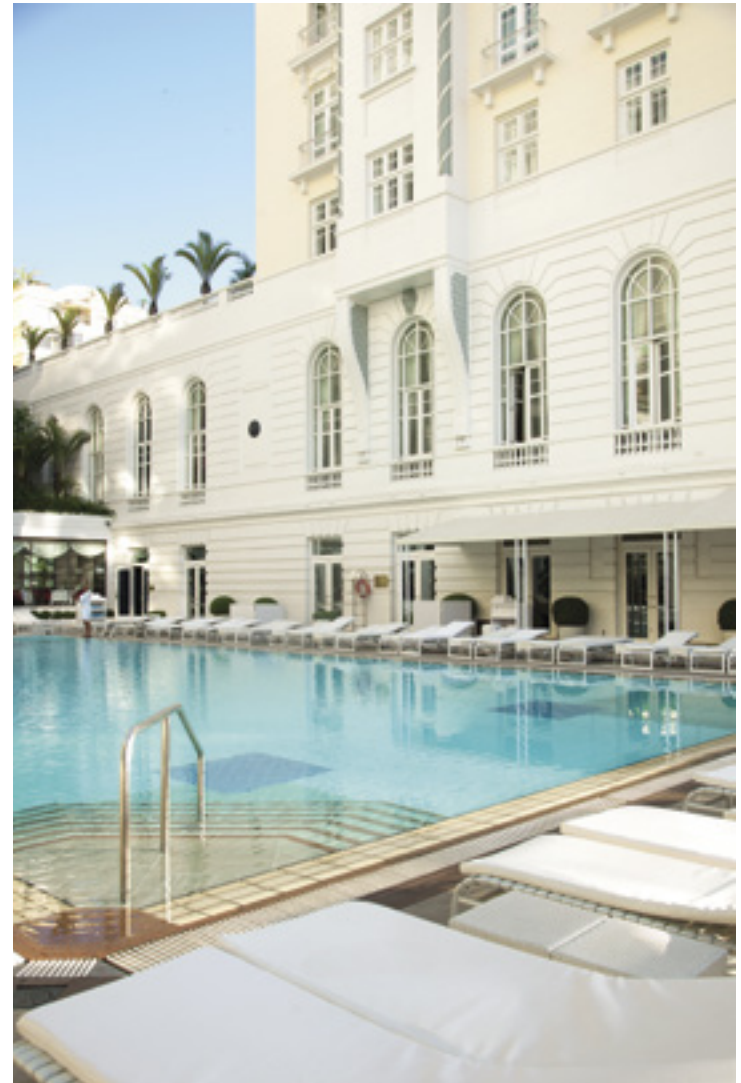
Having spent decades travelling the globe, Belmond invites you to join us for your next adventure. Transcend the everyday with inspiring retreats set among the world's most celebrated destinations.

Our legendary hotels, luxury train journeys, safari adventures and pioneering river cruises each have a story to tell. Join us as it unfolds.

HOTELS | TRAINS | RIVER CRUISES | JOURNEYS

[BELMOND.COM](https://www.belmond.com)

#TheArtOfBelmond



Booking Conditions

All Bookings. Our booking conditions apply to all of the trips we offer, including those described in this brochure. The conditions relevant to your booking are available on request by calling your nearest Reservation Office from the following locations: UK: 0845 077 2222 +44 (0)203 117 1300 US: +1 800 524 2420 (toll free), Singapore: +65 6395 0678 or online: <https://www.belmond.com/legal/terms-and-conditions>.

Our booking conditions contain important limitations and exclusions of liability. Please read them before we confirm your booking. Adequate travel insurance is vital. Details of a policy suitable to cover the arrangements you book are available from an advisor at RHG Insurance Brokers on +44 (0)1438 345714 or +44 (0)1438 345719 (please quote "VSOE Travel" when calling). All details are correct at time of going to print. Images are used for illustration purposes only. We reserve the right to amend the price of unsold trips at any time.

The applicable deposit (5% unless otherwise stated) must be paid to us when you book (or if booking within 56 days of departure, full payment must be made on booking).

If there are fewer than 12 passengers in your party, and if you have made your booking more than 56 days before departure and have paid a deposit to secure your booking, the balance of the cost of your arrangements (including any applicable surcharge) is due not less than 56 days prior to scheduled departure.

If there are 12 or more passengers in your party, payments must be made as follows: 15% of the cost of your arrangements is payable on booking, a further 35% of such cost (including any applicable surcharge) is due 90 days before departure (if your booking is made between 90 and 56 days before departure you will be required to pay 50% of the cost of your arrangements on booking and the balance is due 56 days before departure). If your booking is made less than 56 days before departure, you will be required to pay the entire cost of your arrangements at the time of your booking. If we do not receive (in cleared funds) the relevant sum due in full and on time, we reserve the right to treat your booking as cancelled by you, in which case cancellation charges will become payable.

Cancellation charges apply in the event that you or any member of your party cancels a confirmed booking. These charges will increase the closer to your departure date that you notify us of a cancellation.

Non-UK passport holders, including other EU nationals, should obtain up-to-date advice on passport and visa requirements from the Embassy, High Commission or Consulate of your destination or country(ies) through which they are travelling.

Non-EEA Bookings. The Booking Conditions for bookings made by guests outside the EEA can be viewed in full at: <https://www.belmond.com/legal/non-eea-consumer-booking-conditions>.

EEA Bookings. The Booking Conditions for bookings made by guests within the European Economic Area (the "EEA") can be viewed in full here: <https://www.belmond.com/legal/eea-consumer-booking-conditions>.

For these sorts of bookings, we provide financial security for EEA Packages (an "EEA Package" will exist if you are

resident within the EEA and purchase a combination of at least two of the following travel services in a single booking with us, where the arrangement covers a period of more than 24 hours or includes overnight accommodation: (a) transport; (b) accommodation; (c) hire of motor vehicles; or (d) 'other tourist services'. If you buy a combination which includes 'other tourist services' and only one of (a), (b) or (c) above, then this will only be an EEA Package if the 'other tourist services' (i) are not intrinsic to (a), (b) or (c) above, (ii) are not purchased after the start of the performance of (a), (b) or (c) above; and (iii) either account for a significant proportion of the value of the EEA Package (at least 25% of the value of the EEA Package), or otherwise represent an essential feature of the EEA Package).

The following arrangements are not EEA Packages: (i) day trips on the Belmond British Pullman and (ii) any other train journeys (whether booked on their own or with other travel services) which last for less than 24 hours and which are not booked alongside overnight accommodation.

Some of the flights and flight-inclusive holidays which may be shown in this brochure are financially protected by the ATOL scheme. But ATOL protection does not apply to all holiday and travel services listed in this brochure. This brochure shows you the protection that applies in the case of each holiday and travel service offered before you make your booking.

If you do not receive an ATOL Certificate then the booking will not be ATOL protected. If you do receive an ATOL Certificate but all the parts of your trip are not listed on it, those parts will not be ATOL protected. Please see our full EEA Booking Conditions for more information, or for more information about financial protection and the ATOL Certificate go to: www.caa.co.uk. Our ATOL number is 3141 and has been issued by the Civil Aviation Authority, Gatwick Airport South, West Sussex, RH6 0YR, UK, telephone +44 (0)333 103 6350, email: claims@caa.co.uk.

When you buy an EEA Package that does not include a flight, protection is provided by way of a bond held by ABTA The Travel Association, 30 Park Street, London SE1 9EQ, www.abta.co.uk. Our ABTA number is Y6534.

Bookings which are not an EEA Package are not protected by the ATOL or ABTA arrangements described above.

Venice Simplon-Orient-Express Limited. Registered office: Shackleton House, 4 Battle Bridge Lane, London SE1 2HP. Registered in England and Wales No. 1551659 © 2018, Belmond Management Limited.



Villagers wave from paddy fields and tropical rainforests when the carriages that they affectionately call The Green Train glide past. The verdant colour of the train's livery – and our inside cover – is inspired by the jungle along its route. On the front, the embossed pattern is inspired by the State Cars' marquetry, expertly crafted by local artisans in Asian teak and cherry wood veneers. This lavish décor evokes the vintage ambience of the classic movie Shanghai Express: let the film's elegant escapades kindle your own adventures aboard our train.

AMERICAN RESERVATIONS

205 Meeting Street, Charleston, SC 29401

United States of America

Tel: +1 800 524 2420 (Toll Free) Fax: +1 843 937 9036

Email: reservations.us@belmond.com

EUROPEAN RESERVATIONS

Shackleton House, 4 Battle Bridge Lane,
London, SE1 2HP

United Kingdom

Tel: 0845 077 2222 or +44 (0)20 3117 1300

Fax: +44 (0)20 7921 4708

Email: reservations.uk@belmond.com

SOUTHEAST ASIAN AND AUSTRALASIAN RESERVATIONS

100 Beach Road, #34-01/02, Shaw Tower,
Singapore 189702

Tel: +65 6395 0678 Fax: +65 6392 3600

Australia: 1 800 000 395 (Toll Free)

New Zealand: 00 800 8392 3500 (Toll Free)

Email: reservations.singapore@belmond.com



@easternoriental