



DISCOVER OUR TRAIN

## VENICE SIMPLON-ORIENT-EXPRESS



A WORK OF ART IN ITSELF AND A TRUE ART DECO ICON, THE LEGENDARY VENICE SIMPLON-ORIENT-EXPRESS TRAIN IS ONE OF THE WORLD'S MOST CELEBRATED TRAVEL EXPERIENCES. ADVENTURE AND STYLE ARE INTIMATELY BOUND IN JOURNEYS THAT CRISSCROSS EUROPE, GLIDING THROUGH SUBLIME SCENERY TO SOME OF THE CONTINENT'S MOST ALLURING CITIES. ALONG THE WAY, GUESTS RELAX IN SUMPTUOUS VINTAGE CABINS, ENJOYING GASTRONOMIC CUISINE AND A LIVELY ONBOARD ATMOSPHERE.

### LIFE ON BOARD

#### CABINS

The Venice Simplon-Orient-Express cars are the original 1920s models. Each Historic Cabin has a washbasin, hot and cold water, towels, bathrobes and slippers. WCs are located at either end of each sleeping carriage. For those looking for more room to relax, our Suites and Grand Suites, complete with private ensuite facilities, offer the ultimate escape.

#### A NEW CULINARY VOYAGE WITH JEAN IMBERT

Blending this iconic train's gastronomic heritage with his own passion for fresh seasonal produce, prepared classically and with precision, Chef Imbert creates beautiful moments of culinary perfection in motion. The new concept spans all of the train's culinary menus and experiences. Jean has also re-designed the restaurant's ambience, bringing a new level of classical precision to each menu.



#### DINING

Our restaurant cars offer a truly magical dining experience, from scenic lunches to romantic dinners. Etoile du Nord is resplendent with its wonderful floral marquetry, while Côte d'Azur features stunning Lalique glass panels and the black lacquer decoration in L'Oriental strikes an exotic note.

#### BOUTIQUE

Commemorate your journey with a wonderful memento from our collection of bespoke and monogrammed gifts.

## GRAND SUITES

---

INDULGE IN NEW LEVELS OF LUXURY ABOARD THE TRAIN BY STAYING IN ONE OF OUR SIX GRAND SUITES. INTERIORS INSPIRED BY PARIS, VENICE, ISTANBUL VIENNA, BUDAPEST AND PRAGUE EMBODY ART DECO INDULGENCE WHILE PROVIDING EVERY MODERN COMFORT. EACH SUITE COMES COMPLETE WITH EITHER A DOUBLE OR TWIN BEDS AND INCLUDES A LIVING AREA, PERFECT FOR SIPPING THE FREE-FLOWING CHAMPAGNE AS YOU RELAX IN STYLE. SPACIOUS ENSUITE BATHROOMS AND IMPECCABLE CABIN SERVICE COMPLETE THE EXPERIENCE.

---

### GRAND SUITE INCLUSIONS

- SOFA IN THE LIVING AREA, WHICH CAN BE CONVERTED INTO A SMALLER BED SUITABLE FOR A CHILD
- PRIVATE ENSUITE BATHROOM WITH SHOWER, WASHBASIN AND TOILET
- 24-HOUR STEWARD SERVICE
- EXCLUSIVE CAR OR BOAT TRANSFERS BETWEEN STATION AND CITY CENTRE ACCOMMODATION (OR VICE VERSA) AT THE START AND END OF YOUR TRAIN JOURNEY
- FREE-FLOWING CHAMPAGNE THROUGHOUT YOUR JOURNEY IN YOUR SUITE
- CAVIAR ON ARRIVAL
- GUARANTEED TABLE FOR TWO AT GUEST'S CHOSEN SITTING TIME FOR LUNCH AND DINNER IN PREFERRED DINING CAR; OPTION OF PRIVATE IN-SUITE DINING
- ALL TABLE D'HÔTE (EXCLUDING CAVIAR OPTIONS)
- CHAMPAGNE CELEBRATION BREAKFAST IN YOUR SUITE
- COMPLIMENTARY BATHROBES AND SLIPPERS AS MEMENTO OF YOUR JOURNEY
- EXCLUSIVE TURNDOWN GIFT
- GRAND SUITE GUESTS DEPARTING OR ARRIVING INTO LONDON ARE PROVIDED WITH PRIVATE TRANSFERS



---

### GRAND SUITE PARIS

Light and classic, this chic suite draws on the French capital's grand architecture with flourishes of haute couture.

### GRAND SUITE ISTANBUL

Opulence and romance abound, with hand-carved timber and embossed leather. Embroidered textiles have echoes of the Grand Bazaar.

### GRAND SUITE VIENNA

Experience the allure of Vienna between the walls of its new namesake Grand Suite. Follow in the footsteps of Sigmund Freud and perhaps allow the ornate design to inspire a musical masterpiece.

### GRAND SUITE VENICE

Silk, woven fabrics, glass lamps and Venetian furniture reflect grand Italian Baroque and Renaissance design.

### GRAND SUITE BUDAPEST

Step into the soul of Budapest as this suite captures the essence of both sides of the Danube river. Journey through Europe, immersing yourself in the flamboyant architecture and eclectic character of this historic city.

### GRAND SUITE PRAGUE

Sleep within the spirit of 'the City of a Hundred Spires'. The Prague Suite encapsulates all that is glorious about this exuberant city through the rich gold and maroon details.

# GRAND SUITES

GRAND SUITE BUDAPEST



GRAND SUITE ISTANBUL



GRAND SUITE PARIS



GRAND SUITE PRAGUE



GRAND SUITE VENICE



GRAND SUITE VIENNA



## SUITES

LA CAMPAGNE



LES LACS



LES MONTAGNES



LA FORÊT



EIGHT SUITES OFFER A FRESH EXPRESSION OF AGELESS OPULENCE ABOARD THE LEGENDARY VENICE SIMPLON-ORIENT-EXPRESS.

Celebrating the romance of rail adventure, the Suites pay homage to the unfolding landscape. Plush fabrics and furnishings harken back to the golden age of art deco design, while pioneering innovations usher in a bold vision for the future. An abundance of space and decadent, private ensuite facilities offer a true personal haven; whisking you between the wonders of the European continent in sensational style.

Four different designs are influenced by the classic landscapes the train travels through; La Campagne (the countryside), Les Montagnes (mountains), Les Lacs (lakes) and La Forêt (forest).

### SUITE FEATURES

The Suites have private ensuite facilities and complement the existing Grand Suites and Historic Cabins.

- FIXED DOUBLE OR TWIN BEDS
- SPACIOUS MARBLE ENSUITE BATHROOM WITH SHOWER, BASIN AND WC
- 24-HOUR STEWARD SERVICE
- LOUNGING AREA BY DAY  
(BED CONVERTS TO BANQUETTE SITTING AREA)
- COMPLIMENTARY AMENITIES AND SLIPPERS
- COMPLIMENTARY KIMONO



SEASON: MARCH TO NOVEMBER

## HOW IT WORKS

To transport passengers between the Venice Simplon-Orient-Express and London we use Eurostar.

## SIGNATURE JOURNEYS

PARIS-ISTANBUL (5 NIGHTS, 3 NIGHTS ON TRAIN)  
 ISTANBUL-PARIS (5 NIGHTS, 3 NIGHTS ON TRAIN)  
 PARIS-ISTANBUL-PARIS (12 NIGHTS, 6 NIGHTS ON TRAIN)\*

\*Stopovers are necessary during journeys, with hotel accommodation available for a supplement.

## JOURNEYS

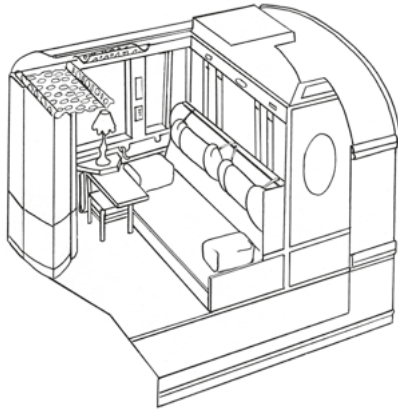
LONDON - VENICE OR VICE VERSA (1 NIGHT)  
 PARIS - VENICE OR VICE VERSA (1 NIGHT)  
 LONDON OR PARIS TO BUDAPEST  
 LONDON OR PARIS TO VIENNA  
 BUDAPEST - LONDON (1 NIGHT)  
 BUDAPEST - PARIS (1 NIGHT)  
 VIENNA TO PARIS OR LONDON  
 ROME OR FLORENCE - PARIS  
 PARIS - FLORENCE OR ROME  
 AMSTERDAM - VENICE OR VICE VERSA (1 NIGHT)  
 BRUSSELS - VENICE OR VICE VERSA (1 NIGHT)  
 PARIS - CANNES  
 PARIS - VENICE (VIA CANNES)

*Legs can be combined to offer return journeys, with 2 night onboard and a stop-over in destination.*

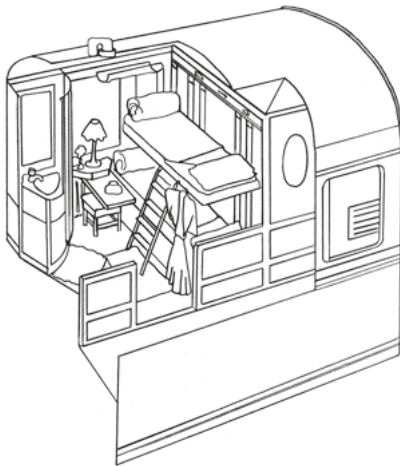
# VENICE SIMPLON-ORIENT-EXPRESS

## CABIN PLANS

HISTORIC CABIN - DAY

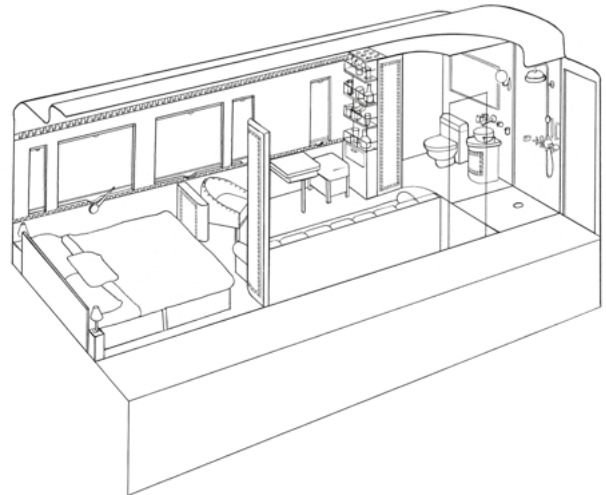


HISTORIC CABIN - NIGHT



CAPACITY TABLE	
Max number of guests	108
<b>RESTAURANT CARS</b>	
Côte d'Azur	26 seats
L'Oriental	28 seats
Etoile du Nord	28 seats
<b>BAR CAR '3674'</b>	
	1
<b>BOUTIQUE</b>	
	1
<b>CABINS</b>	
Historic Cabins	40
Suites	8
Grand Suites	6

GRAND SUITE - DAY & NIGHT



SUITES - DAY & NIGHT

